

# TORO1000

Main features:

Fan less design

IP65

Integrated or external charging indicator

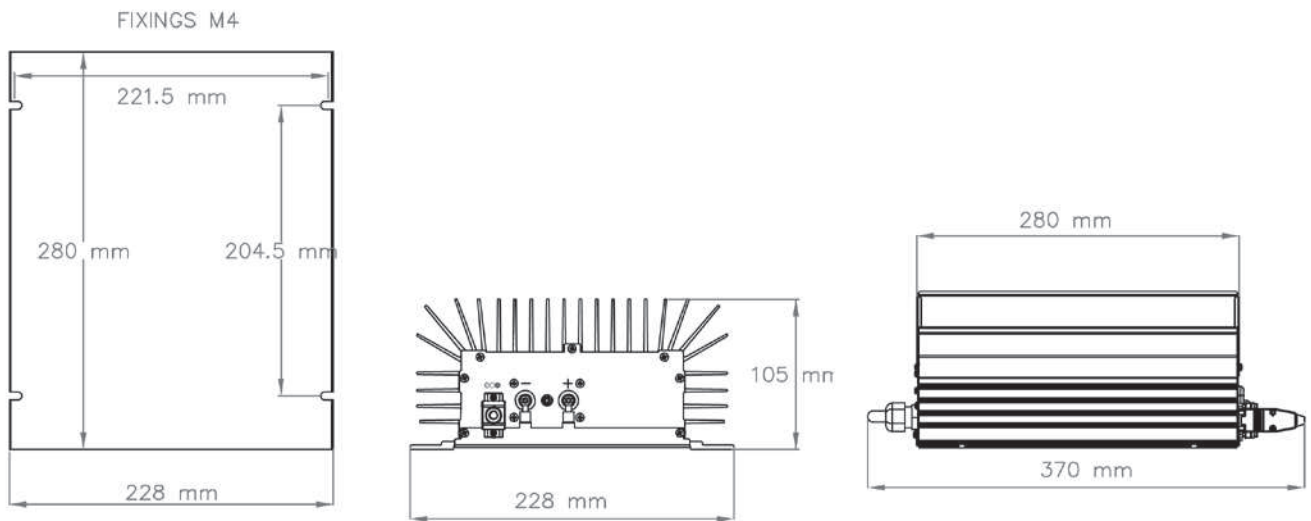
Power from 360W up to 720W

Current from 15A to 30A

Available in 12V, 24V, 36V or 48V

## APPLICATIONS





DIMENSIONS (LxWxH): 280x105x228mm – 11.02x4.13x8.98 in

WEIGHT: 4,80 Kg - 10.58 lbs

PROTECTION GRADE IP65

INPUT VOLTAGE: Universal 100 ÷ 240 Vac – 50-60 Hz

Battery Voltage	Battery Range		Charging Current	Model
	5h	20h		
12	200 ÷ 280 Ah	245 ÷ 350 Ah	30A	12-30
24	200 ÷ 280 Ah	245 ÷ 350 Ah	30A	24-30
36	120 ÷ 195 Ah	150 ÷ 240 Ah	20A	36-20
48	100 ÷ 150 Ah	130 ÷ 185 Ah	15A	48-15